

WALL MOUNTING BRACKET

WB-RM500

1. SAFETY PRECAUTIONS

- Before installation or use, be sure to carefully read all the instructions in this section for correct and safe operation.
- Be sure to follow all the precautionary instructions in this section, which contain important warnings and/or cautions regarding safety.
- After reading, keep this manual handy for future reference.

**⚠ WARNING** Indicates a potentially hazardous situation which, if mishandled, could result in death or serious personal injury.

- Install the unit only in a location that can structurally support the weight of the unit and the mounting bracket. Doing otherwise may result in the unit falling down and causing personal injury and/or property damage.
- Since the unit is designed for indoor use, do not install it outdoors. If installed outdoors, the aging of parts causes the unit to fall off, resulting in personal injury. Also, when it gets wet with rain, there is a danger of electric shock.
- Do not use other methods than specified to mount the bracket. Extreme force is applied to the unit and the unit could fall off, possibly resulting in personal injuries.

**⚠ CAUTION** Indicates a potentially hazardous situation which, if mishandled, could result in moderate or minor personal injury, and/or property damage.

- Tighten each nut and bolt securely. Ensure that the bracket has no loose joints after installation to prevent accidents that could result in personal injury.
- Avoid touching the unit's sharp metal edge to prevent injury.

2. SPECIFICATIONS

Finish	Stainless steel
Dimensions	146 (w) x 113 (h) x 23.9 (d) mm (5.75" x 4.45" x 0.94")
Weight	170 g (0.37 lb)
Accessories	4 x 25 tapping screw (for direct wall mounting) ..... 2 M4 x 20 machine screw (for mounting to the switch box) ..... 2
Usable Unit	Confirm on TOA DATA Library at <a href="https://www.toa-products.com/international/">https://www.toa-products.com/international/</a> .

**Note:** The design and specifications are subject to change without notice for improvement.

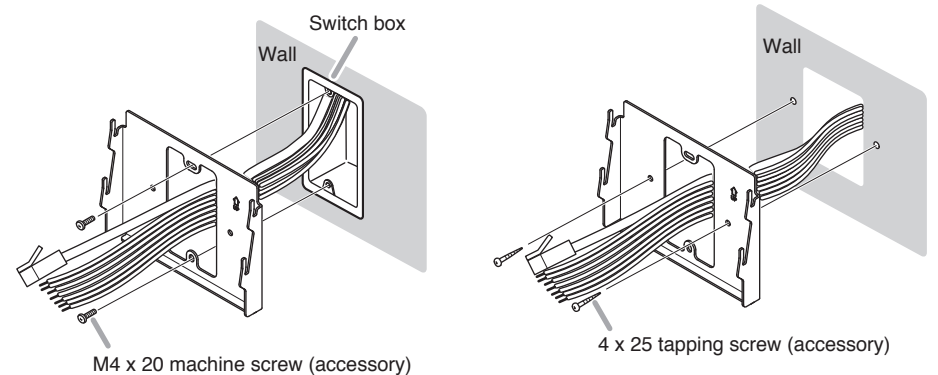
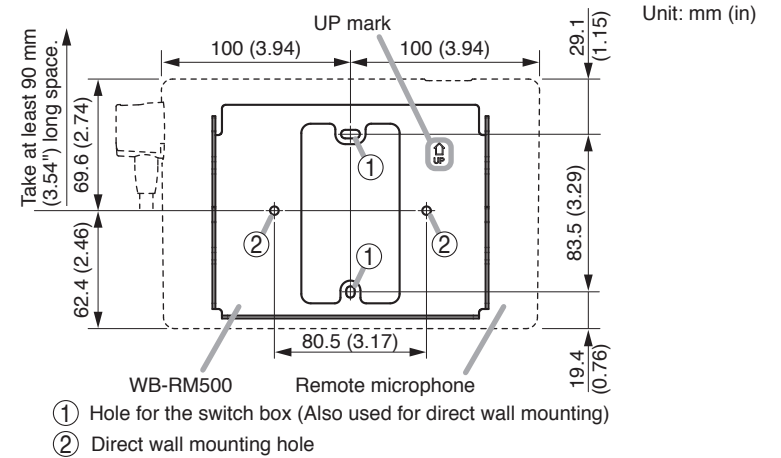
3. INSTALLING THE REMOTE MICROPHONE ON A WALL

**Step 1.** Install the WB-RM500 on the wall.

When attaching to the switch box, use the supplied two M4 x 20 machine screws. When directly mounting on the wall surface, use the supplied two 4 x 25 tapping screws. If the supplied screws cannot be used depending on the wall materials, use the commercially available anchor bolts according to the wall material.

**Note**

Install the WB-RM500 taking at least 90 mm (3.54") long space up from its direct wall mounting hole. Insufficient space will not allow the installation of the remote microphone.



**Step 2.** Hang the remote microphone onto the WB-RM500.

Securely insert 4 mounting holes in the remote microphone into 4 protrusions of the WB-RM500 aligning them with each other.

